


APEX - Effective Disaster Recovery Planning and Resource Management

## MIHI – Zac Jensen



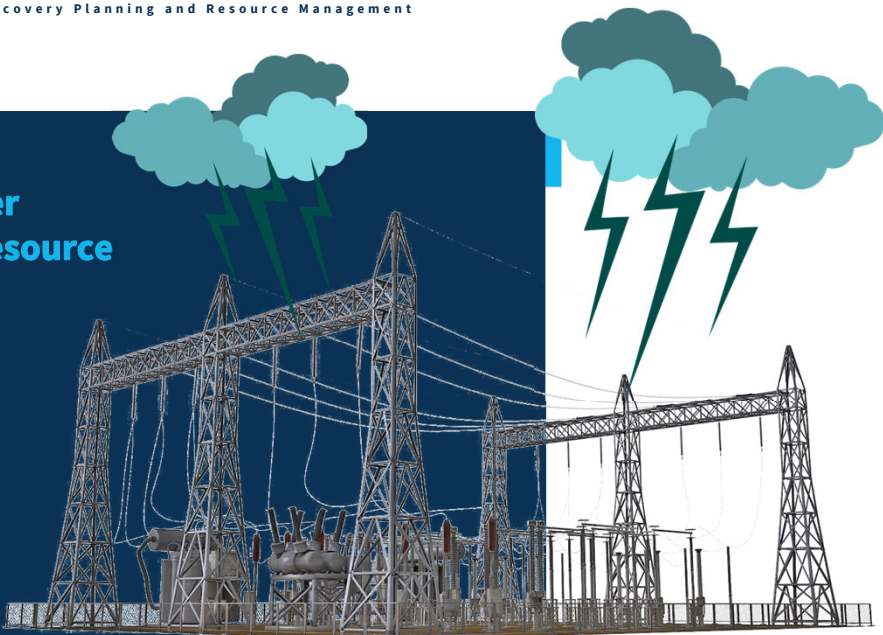
E ngā mana, e ngā reo, tēnā  
koutou katoa  
Ko Ruapehu te maunga  
Ko ōtaki te awa  
Nō Kapiti au  
Kei Pōneke ahau e noho ana  
Ko Zac taku ingoa  
Nā reira, tēnā koutou katoa

APEX - Effective Disaster Recovery Planning and Resource Management



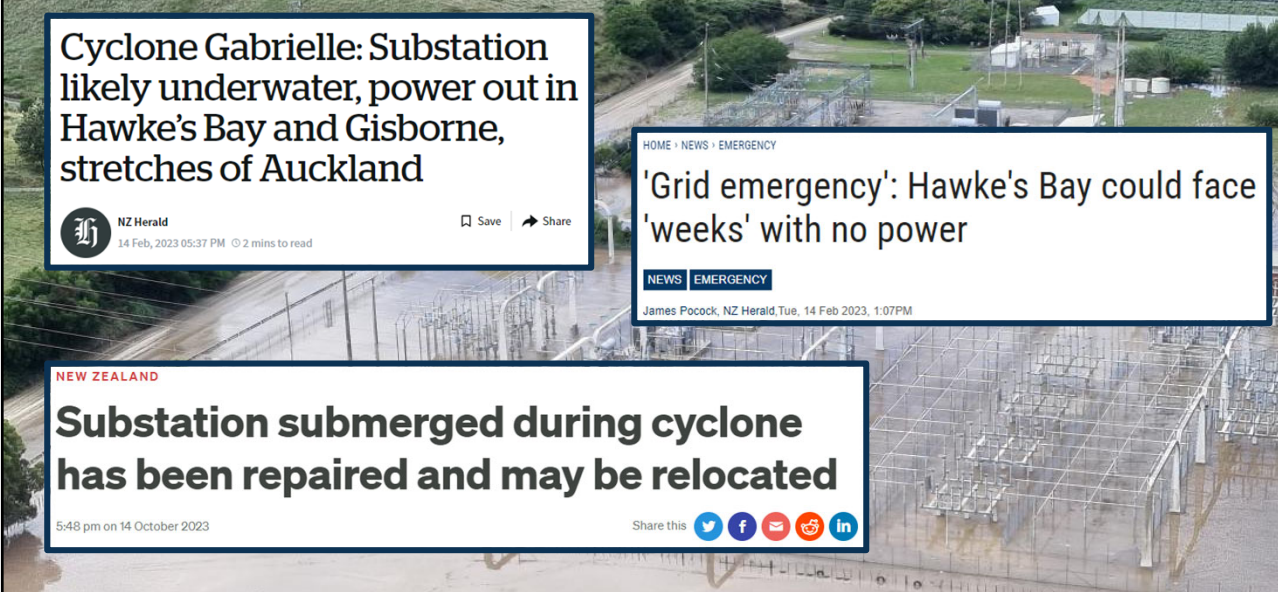
## Effective Disaster Recovery and Resource Management

Presenter:  
Zachary Jensen



APEX - Effective Disaster Recovery Planning and Resource Management

## Purpose



**Cyclone Gabrielle: Substation likely underwater, power out in Hawke's Bay and Gisborne, stretches of Auckland**

NZ Herald  
14 Feb, 2023 05:37 PM · 2 mins to read

Save Share

HOME · NEWS · EMERGENCY

**'Grid emergency': Hawke's Bay could face 'weeks' with no power**






NEWS EMERGENCY

James Pocock, NZ Herald, Tue, 14 Feb 2023, 1:07PM

NEW ZEALAND


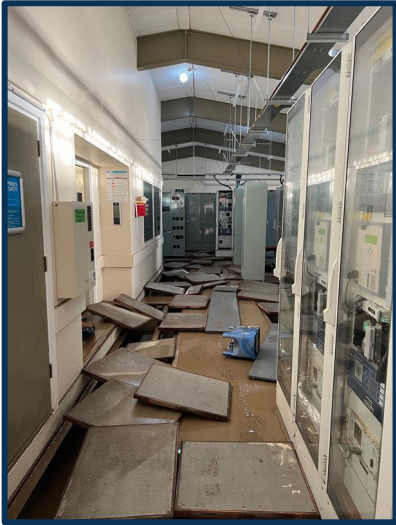


**Substation submerged during cyclone has been repaired and may be relocated**

5:48 pm on 14 October 2023

Share this     

APEX - Effective Disaster Recovery Planning and Resource Management

## Purpose | Redclyffe Substation



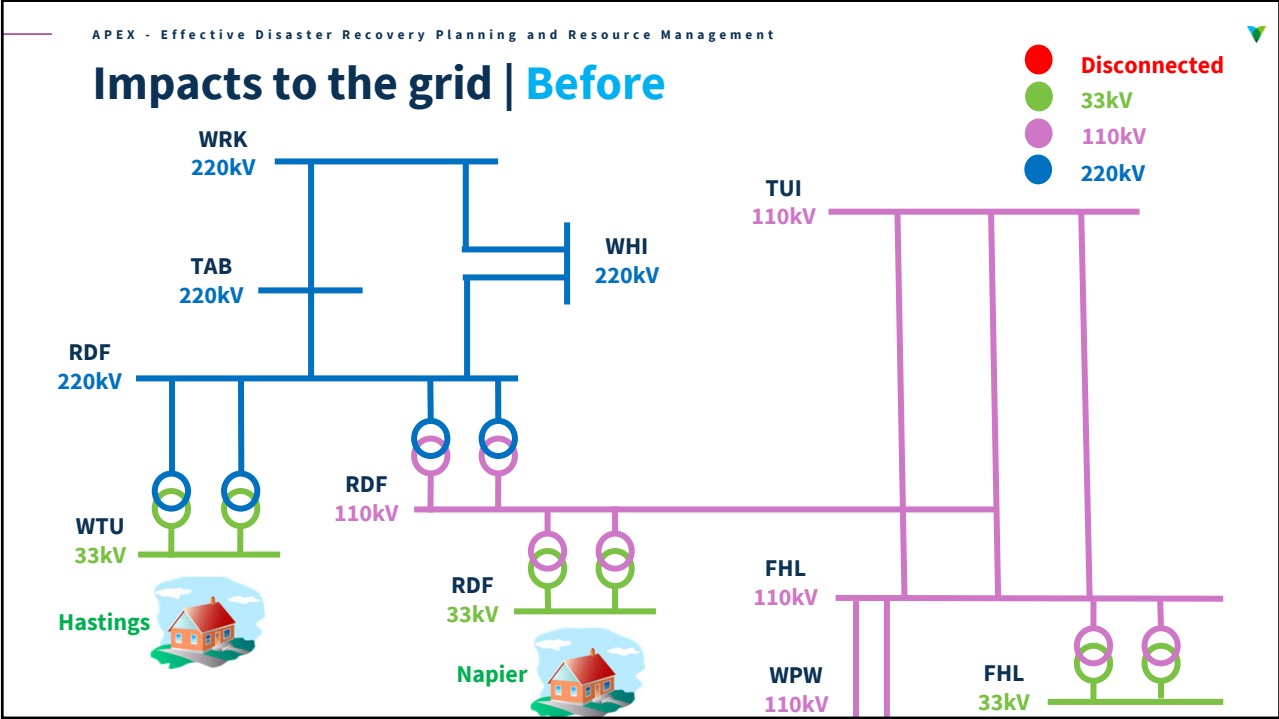


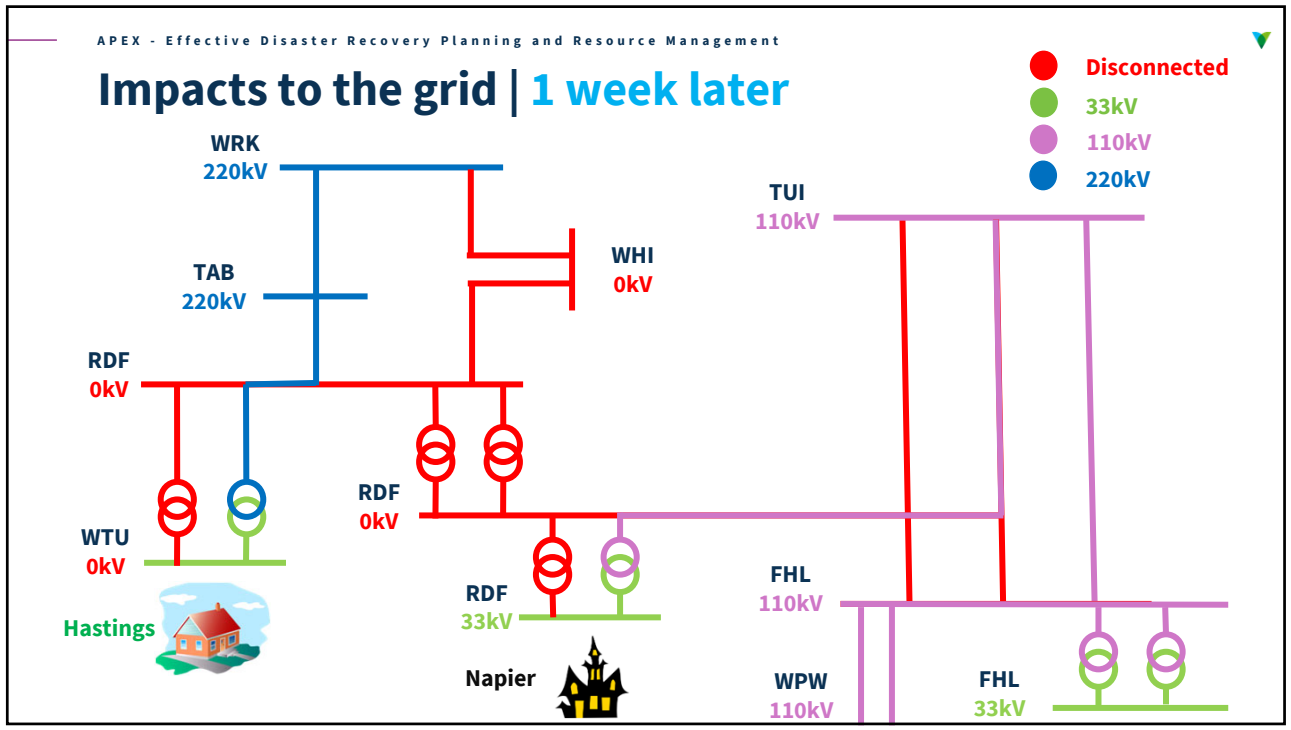
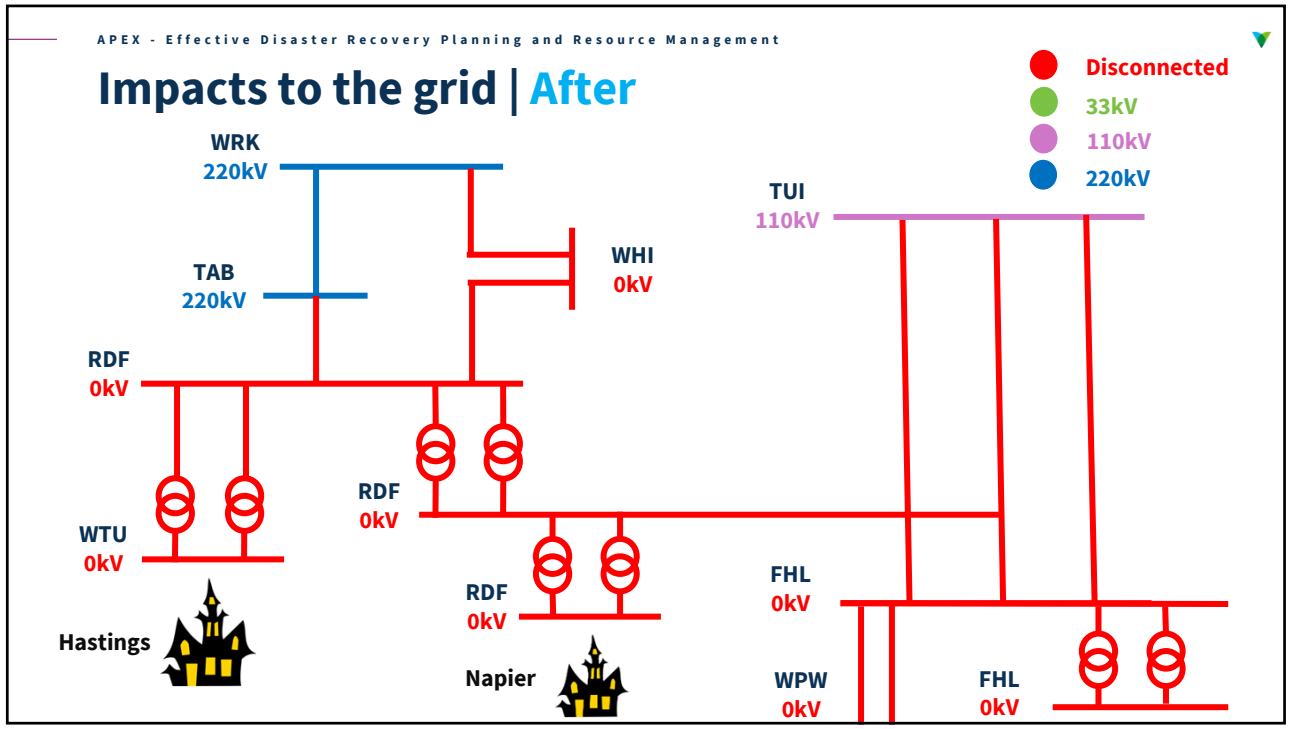
APEX - Effective Disaster Recovery Planning and Resource Management

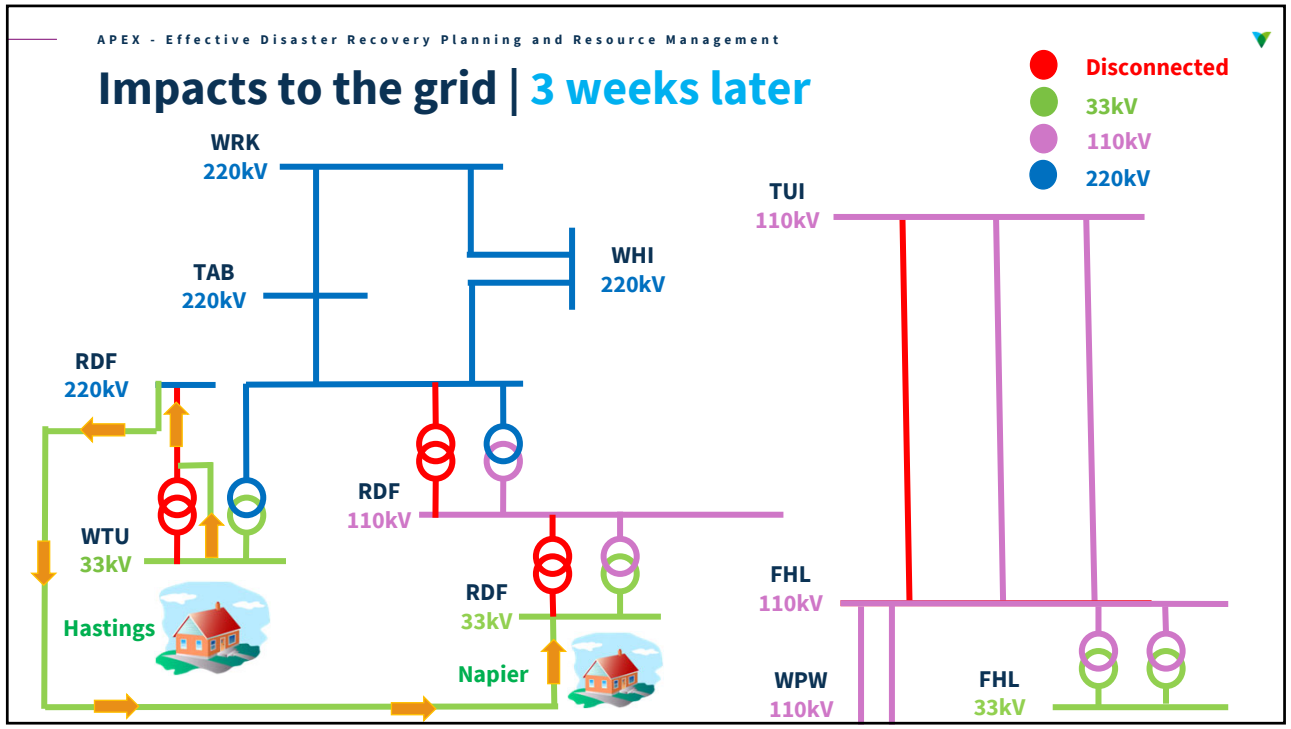
## Purpose | Whirinaki Substation



The complex block contains three images illustrating the impact of a disaster on the Whirinaki Substation. The top-left image is an aerial view of the substation, showing extensive flooding of the surrounding area. The top-right image shows a white pickup truck that has been severely damaged and crushed. The bottom-right image shows a building that has been completely destroyed, with debris scattered around.







APEX - Effective Disaster Recovery Planning and Resource Management

## Summary | Key learnings

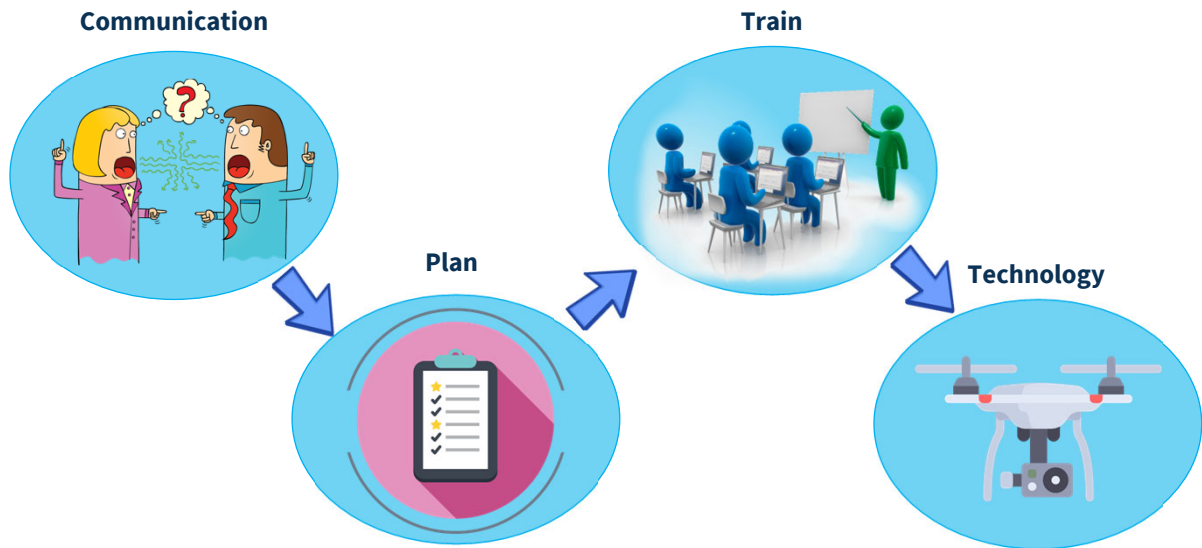
- Communication
- Senior knowledge and management
- Fatigue management
- Relationships within the industry
- Get the basics right

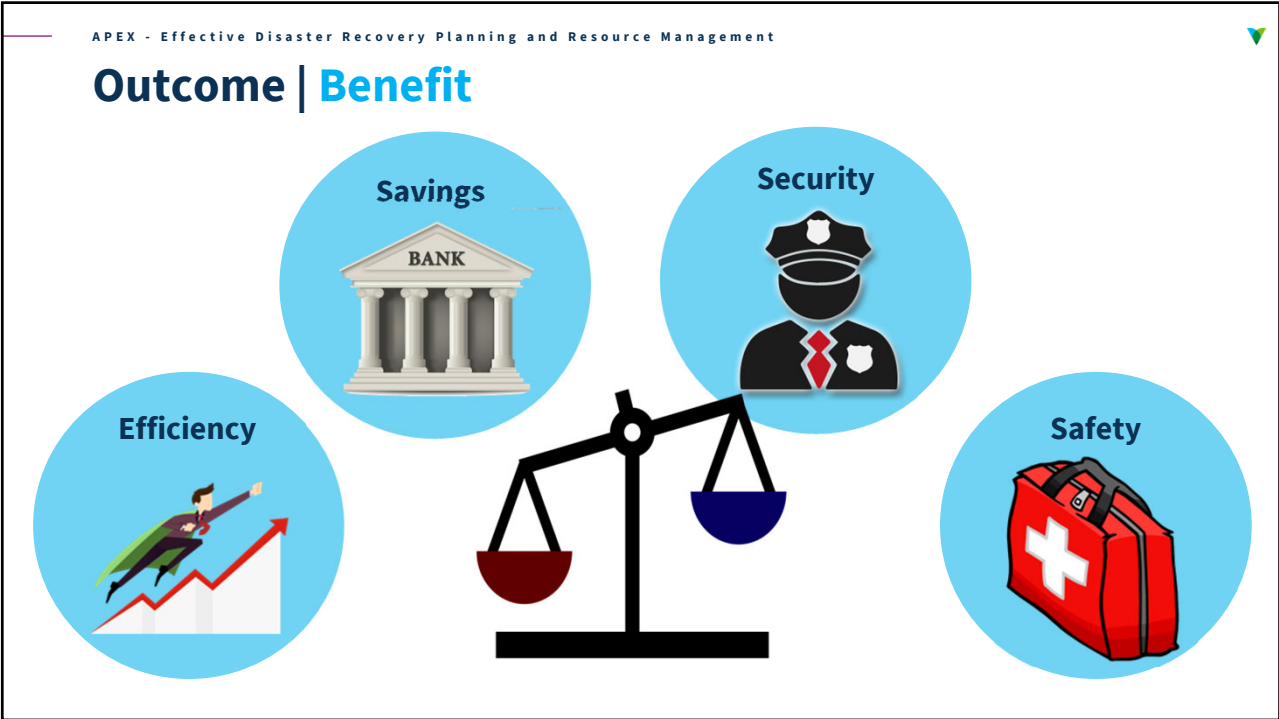
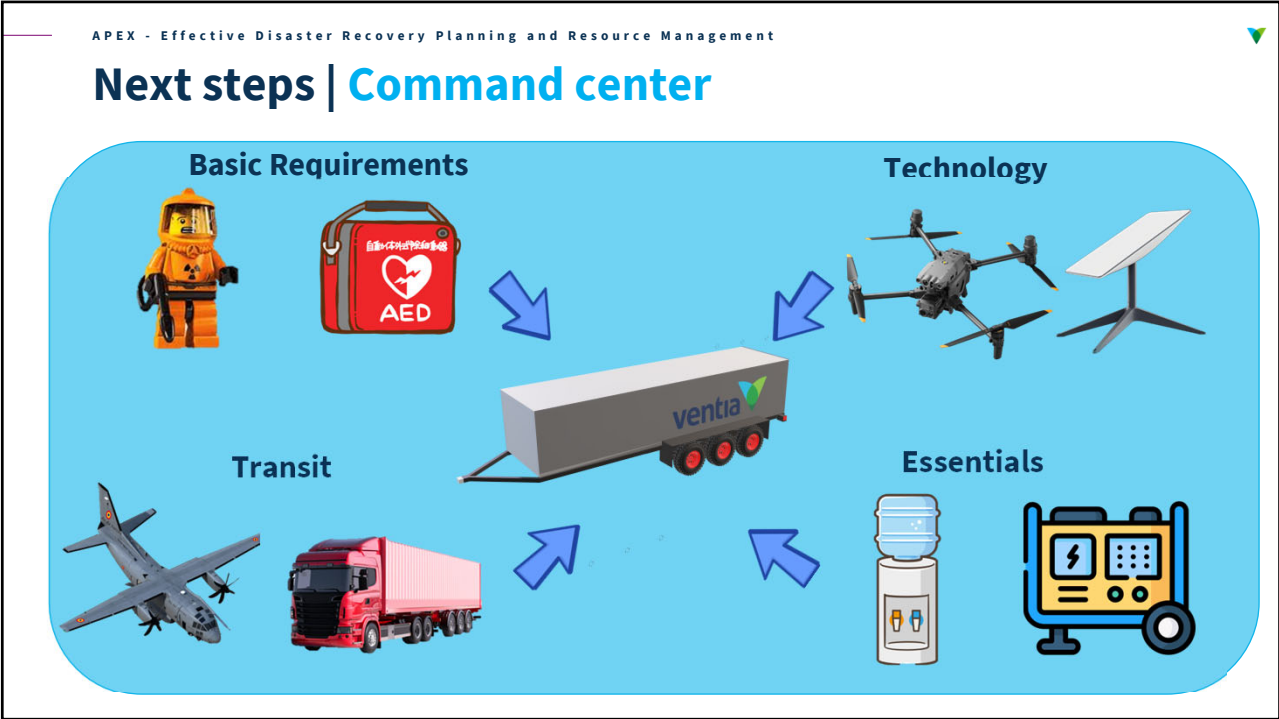


STAFF	20	21	22	23	24	25	26	27	28	29	30	1	2	3	4	5	6	7	8	9	10
X BEN AUS	X	X	✓	✓	✓	✓	✓	✓	✓	✓	✓	✓	✓	✓	✓	✓	✓	✓	✓	✓	✓
X James G AUS	✓	✓	✓	✓	✓	✓	✓	✓	✓	✓	✓	✓	✓	✓	✓	✓	✓	✓	✓	✓	✓
X HENRI AUS	✓	✓	✓	✓	✓	✓	✓	✓	✓	✓	✓	✓	✓	✓	✓	✓	✓	✓	✓	✓	✓
X Menna NJ	✓	✓	✓	✓	✓	✓	✓	✓	✓	✓	✓	✓	✓	✓	✓	✓	✓	✓	✓	✓	✓
X KEITH US	✓	X	X	X	X	X	X	X	X	X	X	X	X	X	X	X	X	X	X	X	X
X DION US	✓	X	X	X	X	X	X	X	X	X	X	X	X	X	X	X	X	X	X	X	X
X WITTU MS	✓	X	X	X	X	X	X	X	X	X	X	X	X	X	X	X	X	X	X	X	X
X Amani MS	✓	✓	✓	✓	✓	✓	✓	✓	✓	✓	✓	✓	✓	✓	✓	✓	✓	✓	✓	✓	✓
APAM B	✓	✓	✓	✓	✓	✓	✓	✓	✓	✓	✓	✓	✓	✓	✓	✓	✓	✓	✓	✓	✓
JAMES W	✓	✓	✓	✓	✓	✓	✓	✓	✓	✓	✓	✓	✓	✓	✓	✓	✓	✓	✓	✓	✓
PAT	✓	✓	✓	✓	✓	✓	✓	✓	✓	✓	✓	✓	✓	✓	✓	✓	✓	✓	✓	✓	✓
KIM	✓	✓	✓	✓	✓	✓	✓	✓	✓	✓	✓	✓	✓	✓	✓	✓	✓	✓	✓	✓	✓
JIM	✓	✓	✓	✓	✓	✓	✓	✓	✓	✓	✓	✓	✓	✓	✓	✓	✓	✓	✓	✓	✓
GIN	✓	✓	✓	✓	✓	✓	✓	✓	✓	✓	✓	✓	✓	✓	✓	✓	✓	✓	✓	✓	✓
DAVID B	✓	✓	✓	✓	✓	✓	✓	✓	✓	✓	✓	✓	✓	✓	✓	✓	✓	✓	✓	✓	✓
CALLS	✓	✓	✓	✓	✓	✓	✓	✓	✓	✓	✓	✓	✓	✓	✓	✓	✓	✓	✓	✓	✓
JAYN	✓	✓	✓	✓	✓	✓	✓	✓	✓	✓	✓	✓	✓	✓	✓	✓	✓	✓	✓	✓	✓
JACK SKEL	✓	✓	✓	✓	✓	✓	✓	✓	✓	✓	✓	✓	✓	✓	✓	✓	✓	✓	✓	✓	✓
Harsh S	✓	✓	✓	✓	✓	✓	✓	✓	✓	✓	✓	✓	✓	✓	✓	✓	✓	✓	✓	✓	✓
Eric	✓	X	X	X	X	X	X	X	X	X	X	X	X	X	X	X	X	X	X	X	X

APEX - Effective Disaster Recovery Planning and Resource Management

## Summary | Improvements









# THANK YOU

Effective Disaster Recovery and  
Resource Management

---

Zachary Jensen  
22/11/2023